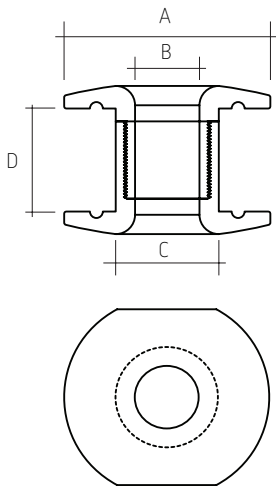


# ROPEYE TDP

Always use Through-Deck Pushing when installing the Ropeye in order to prevent the rope and deck from wear and friction.

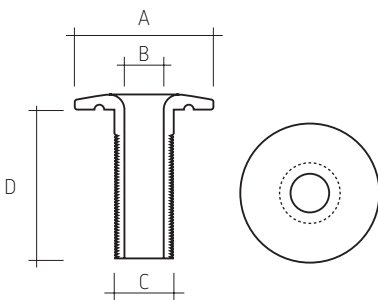


## DOUBLE TDP

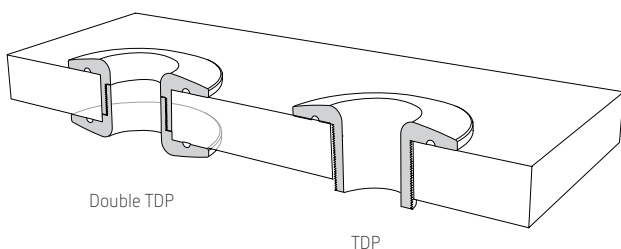


TDP B/D	A Head dia mm	B Inner dia mm	C Outer dia mm	D Length mm	Material
TDP 10/10-12	32	10	16	10-12	Anodised Aluminium
TDP 10/12-16	32	10	16	12-16	Anodised Aluminium
TDP 10/16-22	32	10	16	16-22	Anodised Aluminium
TDP 10/22-30	32	10	16	22-30	Anodised Aluminium
TDP 14/10-12	40	14	20	10-12	Anodised Aluminium
TDP 14/12-16	40	14	20	12-16	Anodised Aluminium
TDP 14/16-22	40	14	20	16-22	Anodised Aluminium
TDP 14/22-30	40	14	20	22-30	Anodised Aluminium
TDP 18/10-12	48	18	24	10-12	Anodised Aluminium
TDP 18/12-16	48	18	24	12-16	Anodised Aluminium
TDP 18/16-22	48	18	24	16-22	Anodised Aluminium
TDP 18/22-30	48	18	24	22-30	Anodised Aluminium

## TDP



TDP C	A Head dia mm	B Inner dia mm	C Outer dia mm	D Length mm	Material
TDP12	28	8	12	30	Anodised Aluminium
TDP14	30	10	14	30	Anodised Aluminium
TDP16	32	12	16	30	Anodised Aluminium
TDP18	34	14	18	30	Anodised Aluminium
TDP20	36	16	20	30	Anodised Aluminium



© Ropeye is a registered trademark. All rights reserved.  
Ropeye technological design is patented.

[www.ropeye.com](http://www.ropeye.com)